

TABUCHI ELECTRIC

M25-6 3-Phase 25kW String Inverter



Designed for Distributed & Utility Solar

- ▶ 6 MPPTs
- ▶ Improved system performance
- ▶ 98.7% Maximum Efficiency
- ▶ 10-year Warranty (20-year option)
- ▶ Lower BOS costs - No need for combiner boxes
- ▶ Increased system reliability
- ▶ Optional Rapid Shutdown & Monitoring Systems

www.tabuchiamerica.com



M25-6: 3-phase 25kW String Inverter (Model Number: TPD-250P6-US)

Input (DC)

Nominal Input power per string	4300 W (5200 W / output limited)
Max. input voltage	1000 V
Operation voltage range	200-1000 V
MPPT voltage range	200 V to 800 V
Nominal input voltage range	500 V to 800 V
Min. input voltage / starting voltage	200 V/200 V
Operating input current per string	10 A
Max. short circuit current per string	20 A
Number of MPP tracker inputs	6

Efficiency

Max. Efficiency	98.7%
CEC Efficiency	97.5%

Protection

Islanding Operation Detection: Active	Frequency shifting method
Islanding Operation Detection: Passive	Frequency change detective method

Output (AC: Grid connected)

Rated output power*	25000 W
Grid connection type	Three-phase, 4-wire type
Rated AC voltage	480 V (277 V WYE)
Rated power frequency	60 Hz
Rated output current	30 A
Power factor at rated output power	≥ 0.99

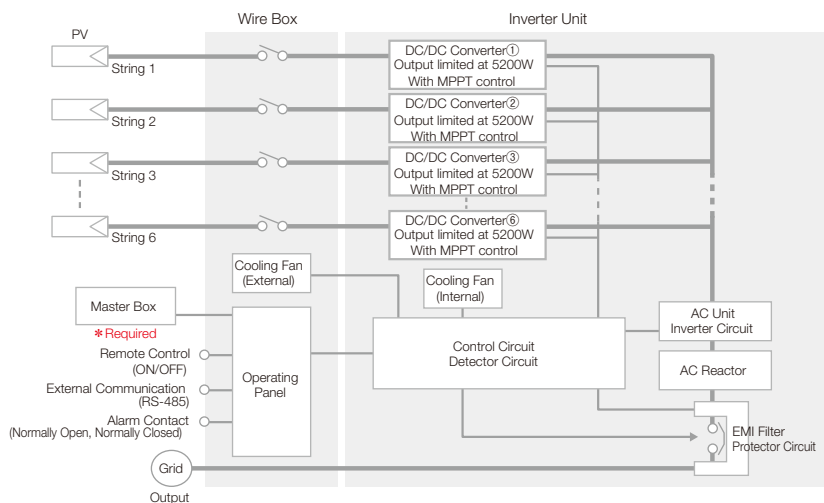
* When the Power factor is 100% during inverter operation.

General Data

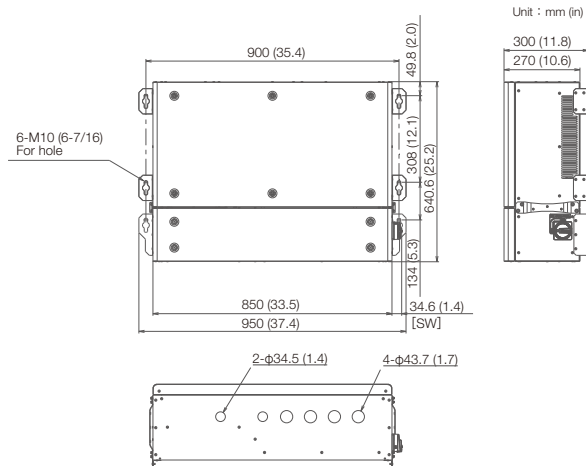
Dimensions W x H x D	950 x 640.6 x 300 mm (37.4 x 25.2 x 11.8 in)
Weight	69 kg (152.1 lb)
Operating temperature range	-20°C to +60°C (-4°F to +140°F) Rated output until +40°C (+104°F)
Internal consumption (night)	< 8 W
Cooling concept	Cooling Fan
Enclosure Rating	NEMA3
Controller/Interface	Master Box* (Required)/RS485
Certification	ETL (UL 1741/1699B, CSA C22.2 No. 107.1-01, IEEE 1547a, CEC), FCC class A
Topology	Transformer-less

* Master Box is required to use three-phase 25 kW inverter.

Block Diagram



Dimensions



Some specifications or aspects of appearance may be changed without notice to improve the product.